



THE SSC CONTROLS COMPANY

THE FOOT SWITCH EXPERTS®

Product Information Sheet

G-Series Heavy-Duty Foot Switches

Designed for tough industrial and shop environments, the G-Series features precise switching action, rugged die-cast aluminum construction that will not rust or break when dropped, and an oversized guard.

Design features:

- Heavy-duty all-aluminum construction for industrial environments.
- 20 amp @ 125/250 VAC Honeywell® switches.
- Guard opening sized to fit even large boot sizes.
- Powder-painted Safety Orange finish.
- 3/4"-14 N.P.T. threaded conduit entry.
- 3- or 4-point mounting with optional 3M® bumper feet.
- Suitable for indoor or outdoor use when properly connected.
- Form C circuitry (SPDT) is standard.
- For Form Z circuitry (double break), add "-DB" to the end of the model (15 A, 125/250 VAC; 1 A, 125 VDC; 0.5 A, 250 VDC).



Quality features:

- Designed and manufactured under a quality system certified to ISO 9001 requirements.
- Includes a 1-year warranty on parts and labor.
- Made in USA of imported and domestic components.



Dimensions, exterior (L x W x H): 9.2" x 6.2" x 5.5"


Weight: 5 pounds

Finish: powder paint, safety orange

Enclosure rating: IP-56; UL/CSA/NEMA Type 2, 4, & 13



Warning: To avoid personal injury, do not use foot switches on machinery lacking effective point-of-operation safeguards. Disconnect input power before installation or maintenance.

Model	Action*	Switches	Stages	Contacts, per Switch	Rating	Certifications
G500-MO	Momentary	1	1	SPDT	20 A, 125/250 VAC 1 HP, 125 VAC 2 HP, 250 VAC .5 A, 125 VDC .25 A, 250 VDC 10 A, 125 VAC "L"	 (Certified to CSA and UL standards)
G500-MA	Maintained	1	1	SPDT		
G500-AT	Anti-Trip	1	1	SPDT		
G502-MO	Momentary	2	1	SPDT		
G502-MA	Maintained	2	1	SPDT		
G502-AT	Anti-Trip	2	1	SPDT		
G502-MO-2S	Momentary	2	2	SPDT		
G502-AT-2S	Anti-Trip	2	2	SPDT		

*Available with 3 action types: Momentary (press and hold to turn on, release to turn off), Maintained (press to turn on, push latch to turn off), and Anti-Trip (push forward safety latch before pressing down). Units with two switches may be adjusted as DPDT or as two SPDT switches activating separately.

The SSC Controls Company
8909 East Avenue Mentor, Ohio 44060
Phone: 440 205-1600 Fax: 440 205-1700




THE SSC CONTROLS COMPANY

G-SERIES INSTALLATION / ADJUSTMENT / MAINTENANCE

G-Series Installation Instructions

Only a qualified electrician should install this foot switch, including proper grounding and installation per local and national electrical codes. The G-Series foot switches are to be installed using a Type 2, 4, and 13 cord grip and UL Listed hard-service or junior hard-service flexible cord suitable for resisting oil and water. Cover screws should be installed using 18-22 in-lb. torque after wiring is installed.

Installation and Maintenance Warning

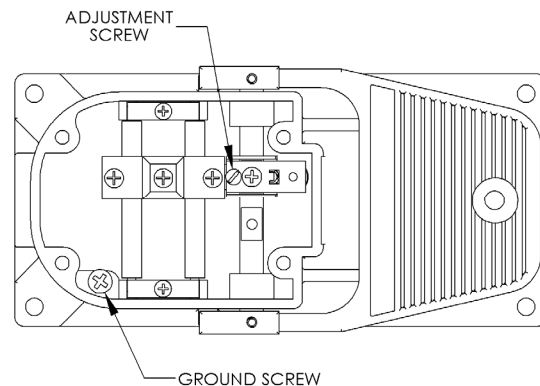
 DANGER / PELIGRO / DANGER		
HAZARDOUS VOLTAGE Disconnect power before performing any work on this device. Failure to follow this instruction can result in death or serious injury.	TENSION PELIGROSA Desenergice el equipo antes de realizar cualquier trabajo en él. El incumplimiento de esta precaución podrá causar la muerte o esiones serias.	TENSION DANGEREUSE Coupez toute alimentation avant travailler sur cet appareil. Si cette précaution n'est pas respectée, cela entraînera la mort des blessures graves.

G-Series Switch Adjustment

Danger: Disconnect input power before performing any installation or maintenance.

Some G-Series foot switches have an adjustable switch activation point. These switches will have the adjustment screw as shown in the diagram.

To increase travel before the switch is activated, turn the Adjustment Screw clockwise. To decrease travel before the switch is activated, turn the Adjustment Screw counter-clockwise.



Periodic Maintenance for -MA and -AT Models

Every 6 months or 50,000 cycles, apply a strip of grease to the contact surface between the latches and the pedal lever for Maintained and Anti-Trip ("-MA" and "-AT") models. Periodic lubrication of exterior springs using a light oil is also recommended. Check to make sure the product and all parts function properly. Discard and replace any defective product immediately.

Storage and Review of this Notice

This notice should be stored at the point of use of the foot switch and reviewed by each user prior to use. If you have any questions, if any of the above is unclear, or if you would like to request additional copies of this document, please contact The SSC Controls Company.

The SSC Controls Company
8909 East Avenue Mentor, Ohio 44060
Phone: 440 205-1600 Fax: 440 205-1700