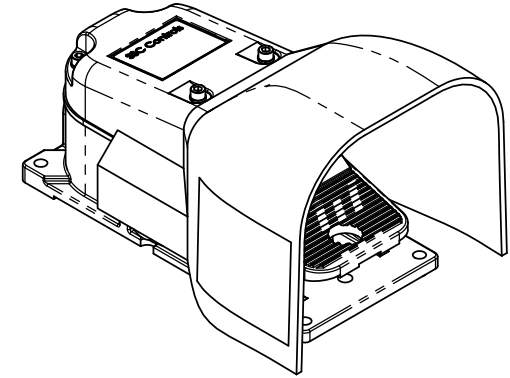
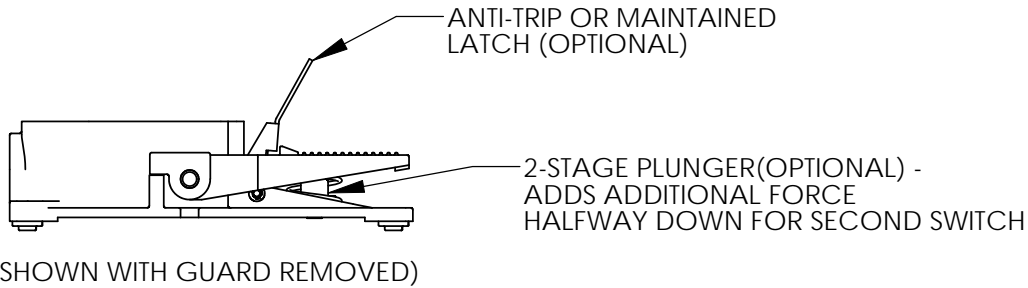


THE INFORMATION CONTAINED IN THIS DRAWING IS THE SOLE PROPERTY OF THE SSC CONTROLS COMPANY AND IS NOT TO BE USED, REPRODUCED, OR DISCLOSED WITHOUT THE EXPRESS WRITTEN PERMISSION OF THE SSC CONTROLS COMPANY.

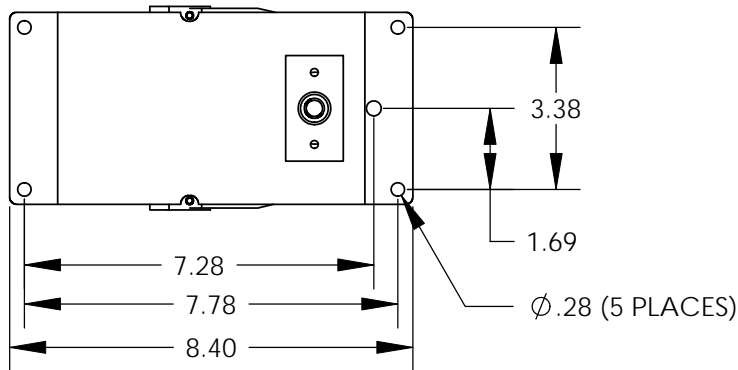
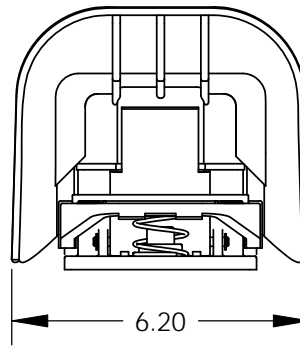
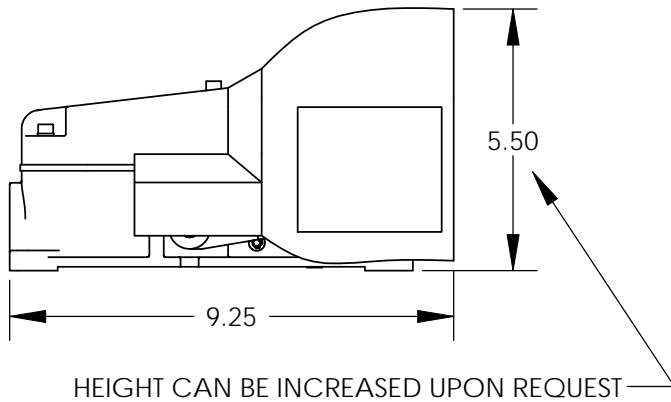



UL/CSA/NEMA ENCLOSURE TYPE 2, 4, AND 13  
IEC ENCLOSURE RATING IP56

APPROXIMATE WEIGHT: 5 LBS

CONTACT INFORMATION:  
THE SSC CONTROLS CO.  
PH: 440-205-1600  
FAX: 440-205-1700  
EMAIL: MAIL@SSCCONROLS.COM  
WEBSITE: WWW.SSCCONTROLS.COM

ALL DIMENSIONS ARE FOR REFERENCE ONLY.



Model	Action	Switches	Stages	Contacts, per Switch	Rating	Certifications
G500-MO	Momentary	1	1	SPDT	20 amp, 125/250 VAC	 (Certified to CSA and UL standards)
G500-MA	Maintained	1	1	SPDT	20 amp, 125/250 VAC	
G500-AT	Anti-Trip	1	1	SPDT	20 amp, 125/250 VAC	
G502-MO	Momentary	2	1	SPDT	20 amp, 125/250 VAC	
G502-MA	Maintained	2	1	SPDT	20 amp, 125/250 VAC	
G502-AT	Anti-Trip	2	1	SPDT	20 amp, 125/250 VAC	
G502-MO-2S	Momentary	2	2	SPDT	20 amp, 125/250 VAC	
G502-AT-2S	Anti-Trip	2	2	SPDT	20 amp, 125/250 VAC	

**REPLACEMENT PARTS PRICING:**

SWITCH, 20 AMP, SPDT (P/N 11416) - \$11.25

RUBBER GASKET (P/N 11404) - \$5.00

COVER (P/N 11401) - \$25.00

COMPRESSION SPRING, 1.2" O.D. (P/N 10004-3) - \$ 5.00

## The SSC Controls Company

8909 EAST AVENUE  
MENTOR, OHIO, USA 44060

UNLESS OTHERWISE SPECIFIED,  
DIMENSIONS ARE IN INCHES  
AND TOLERANCES ARE AS FOLLOWS:

FOR 2 DECIMAL PLACES: ± .02  
FOR 3 DECIMAL PLACES: ± .002  
FOR ANGLES: ± .5 OF A DEGREE

DRAWING INFORMATION	
DRAWN BY:	BAM
CHECKED BY:	JEM
DATE:	N/A
SCALE:	1:4

DRAWING NAME:  
**G-SERIES FOOT SWITCHES  
EXTERIOR DIMENSIONS**

DRAWING NUMBER:  
**N/A**