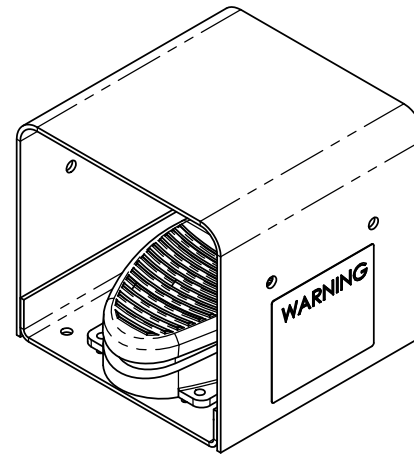
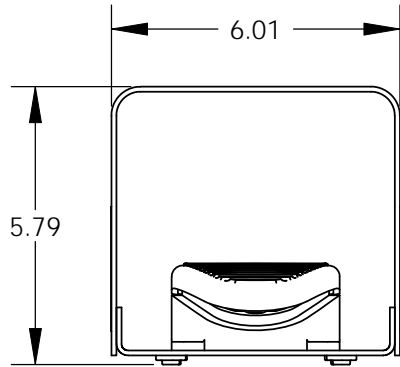
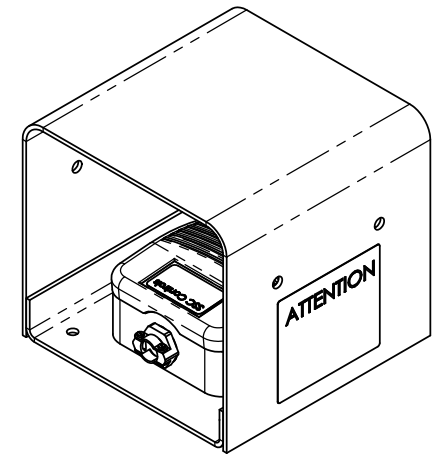


THE INFORMATION CONTAINED IN THIS DRAWING IS THE SOLE PROPERTY OF THE SSC CONTROLS COMPANY AND IS NOT TO BE USED, REPRODUCED, OR DISCLOSED WITHOUT THE EXPRESS WRITTEN PERMISSION OF THE SSC CONTROLS COMPANY.



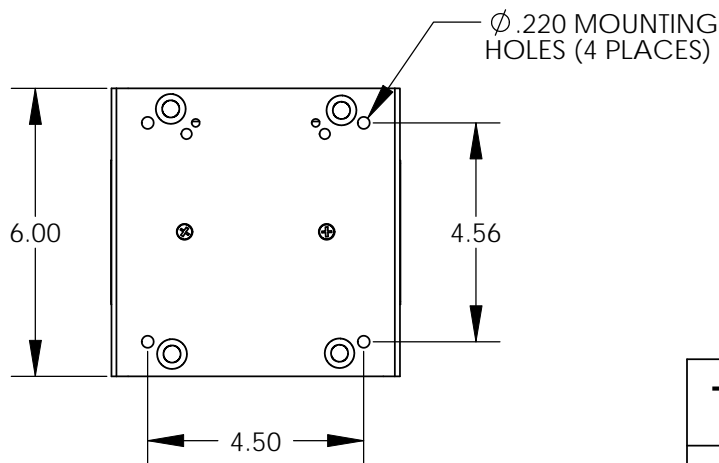
FRONT



BACK (SHOWS CABLE INPUT)

WEIGHT: 5.9 POUNDS
ENCLOSURE TYPE 1

NOTES:
DIMENSIONS ARE FOR REFERENCE ONLY.
BUMPER FEET ARE OPTIONAL.
GUARD MATERIAL: 12-GAUGE CRS



The SSC Controls Company

8909 EAST AVENUE
MENTOR, OHIO, USA 44060

UNLESS OTHERWISE SPECIFIED,
DIMENSIONS ARE IN INCHES
AND TOLERANCES ARE AS FOLLOWS:

FOR 2 DECIMAL PLACES: ± .02
FOR 3 DECIMAL PLACES: ± .002
FOR ANGLES: ± .5 OF A DEGREE

DRAWING INFORMATION	
DRAWN BY:	BAM
CHECKED BY:	JEM
DATE:	6/24/11
SCALE:	1:4

DRAWING NAME:	
SINGLE GUARD (F-SERIES) EXTERIOR DIMENSIONS	
DRAWING NUMBER:	
N/A	