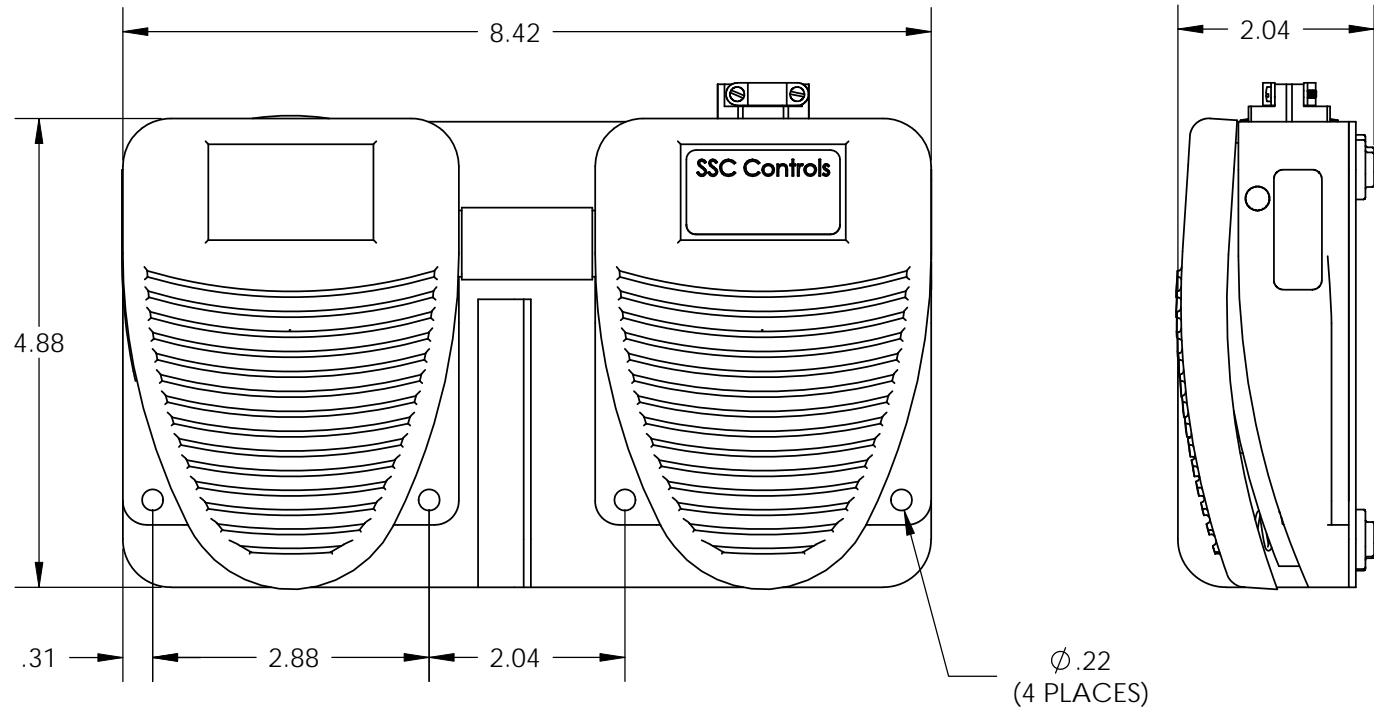
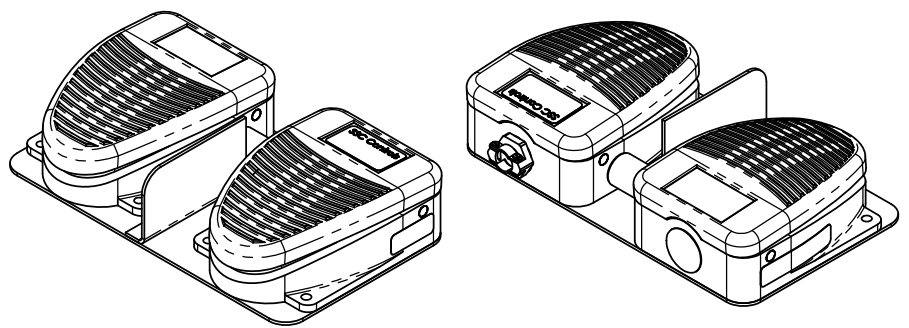


THE INFORMATION CONTAINED IN THIS DRAWING IS THE SOLE PROPERTY OF THE SSC CONTROLS COMPANY AND IS NOT TO BE USED, REPRODUCED, OR DISCLOSED WITHOUT THE EXPRESS WRITTEN PERMISSION OF THE SSC CONTROLS COMPANY.



WEIGHT: 4.65 POUNDS  
ENCLOSURE TYPE 1

ADJUSTABLE STRAIN RELIEF FITS .23" TO .60" CABLE DIA.

NOTE: DIMENSIONS ARE FOR REFERENCE ONLY.

## The SSC Controls Company

8909 EAST AVENUE  
MENTOR, OHIO, USA 44060

UNLESS OTHERWISE SPECIFIED, DIMENSIONS ARE IN INCHES AND TOLERANCES ARE AS FOLLOWS:  FOR 2 DECIMAL PLACES: ± .02 FOR 3 DECIMAL PLACES: ± .002 FOR ANGLES: ± .5 OF A DEGREE	DRAWING INFORMATION		DRAWING NAME:
	DRAWN BY:	N/A	<b>DF-SERIES EXTERIOR DIMENSIONS</b>
	CHECKED BY:	N/A	
	DATE:	7/14/12	DRAWING NUMBER:
	SCALE:	1:2	<b>N/A</b>